

GENERAL NOTES

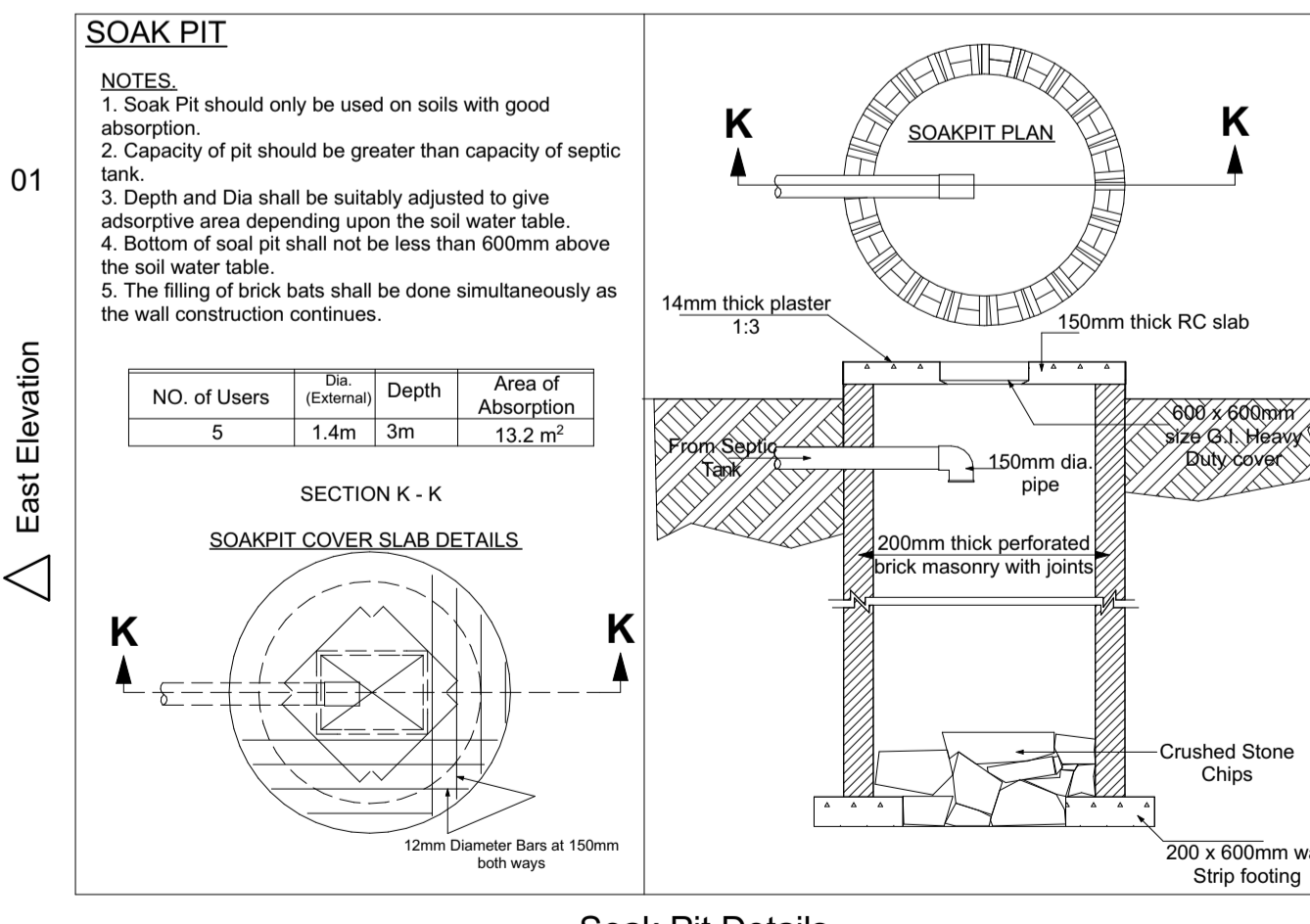
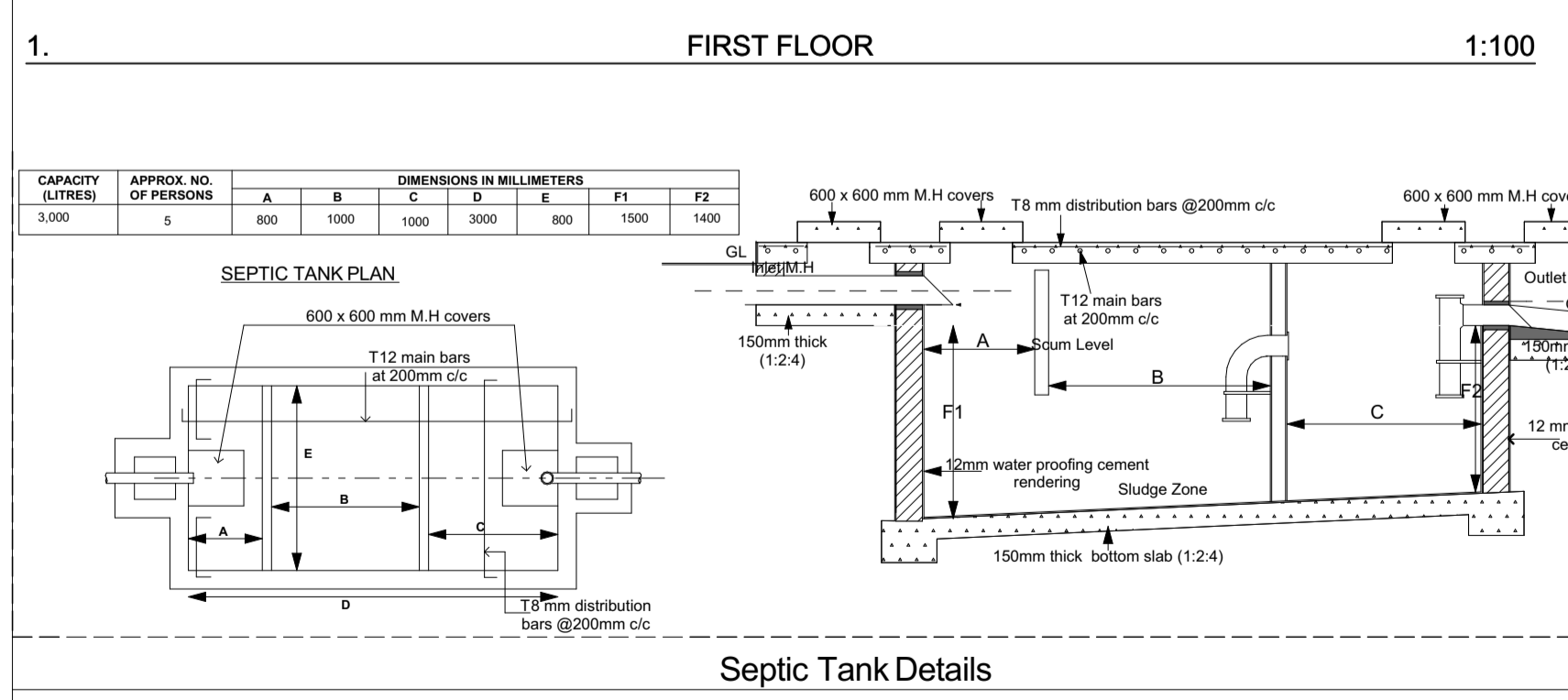
- This drawing to be read in conjunction with Engineerings drawings.
- All dimensions are in mm unless otherwise specified.
- Drawings are not to be scaled. Only figured dimensions should be used.
- The contractor must check and verify all dimensions before commencement of work and if necessary confirm with the architect.

STRUCTURAL

- All black cotton soil to be removed from blow all walland paved surfaces.
- All reinforced concrete work will be accordance with structural drawings.
- Foundation depth to be determined on site on SE approval.
- All wall to be reinforced with hoop iron at every alternate course.
- All adjacent R.C work and masonry walls to be tied with strap irons at every course.

CONSTRUCTION

Approved anti-termite treatment & 1000 gauge polythene sheeting cover to be provided under all ground floor concrete slab on compacted hardcore to approval. DPC to be 3ply bituminous felt to be provided under all walls.



All Openings Schedule

EID	D 01	D 02	D 03	D 04	W 01	W 02	W 03	W 04	W 05	W 06
3D										

PROJECT NAME:
Residential House Development

DRAWN BY:
James Wairimu

DESIGNED BY:
JAZZ BUILDING CONSTRUCTION

SITE PLAN NO:

Drawing Name
FIRST FLOOR, East Elevation, North Elevation, West Elevation, South Elevation, Building Section, All Openings Schedule, GROUND FLOOR and SECOND FLOOR

DATE: 8/21/2025 **Drawing Scale** 1:100